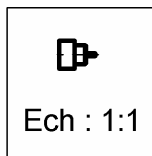
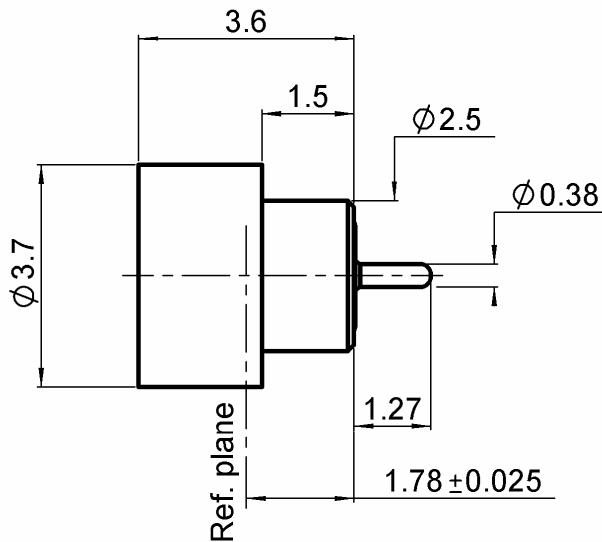


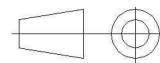
HERMETIC STRAIGHT MALE RECEPTACLE
SOLDER TYPE - SMOOTH BORE

R222.645.700

Series : SMP



All dimensions are in mm.



| COMPONENTS | MATERIALS | PLATINGS (µm) |
|----------------|-----------|------------------------|
| BODY | DILVER P1 | GOLD 0.5 OVER NICKEL 2 |
| CENTER CONTACT | DILVER P1 | GOLD 0.5 OVER NICKEL 2 |
| OUTER CONTACT | | |
| INSULATOR | GLASS | |
| GASKET | | |
| OTHERS PARTS | | |
| - | - | - |
| - | - | - |

Issue : 0951 B

In the effort to improve our products, we reserve the right to make changes judged to be necessary.



HERMETIC STRAIGHT MALE RECEPTACLE

R222.645.700

SOLDER TYPE - SMOOTH BORE

Series : SMP

PACKAGING

SPECIFICATION

| Standard | Unit | Other |
|------------|-------------------|-------------------|
| 100 | 'W' option | Contact us |

ELECTRICAL CHARACTERISTICS

ENVIRONMENTAL

| | | |
|---------------------------------|----------------------|--------------------------------|
| Impedance | 50 | Ω |
| Frequency | 0-18 | GHz |
| VSWR | 1.15 + 0,0000 | x F(GHz) Maxi |
| Insertion loss | 0.12 | $\sqrt{F}(\text{GHz})$ dB Maxi |
| RF leakage | - (| - F(GHz)) dB Maxi |
| Voltage rating | 335 | Veff Maxi |
| Dielectric withstanding voltage | 500 | Veff mini |
| Insulation resistance | 5000 | M Ω mini |

| | | |
|-----------------------|-----------------|------------------------|
| Operating temperature | -65/+165 | $^{\circ}\text{C}$ |
| Hermetic seal | 10-8 | Atm.cm ³ /s |
| Panel leakage | NA | |

OTHERS CHARACTERISTICS

Assembly instruction

Others :

MECHANICAL CHARACTERISTICS

| | | |
|----------------------------|---------------|-------------|
| Center contact retention | | |
| Axial force – Mating end | 6.8 | N mini |
| Axial force – Opposite end | 6.8 | N mini |
| Torque | NA | N.cm mini |
| Recommended torque | | |
| Mating | NA | N.cm |
| Panel nut | NA | N.cm |
| Mating life | 1000 | Cycles mini |
| Weight | 0,0950 | g |

Issue : 0951 B

In the effort to improve our products, we reserve the right to make changes judged to be necessary.

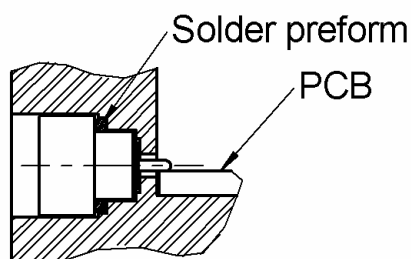


HERMETIC STRAIGHT MALE RECEPTACLE

R222.645.700

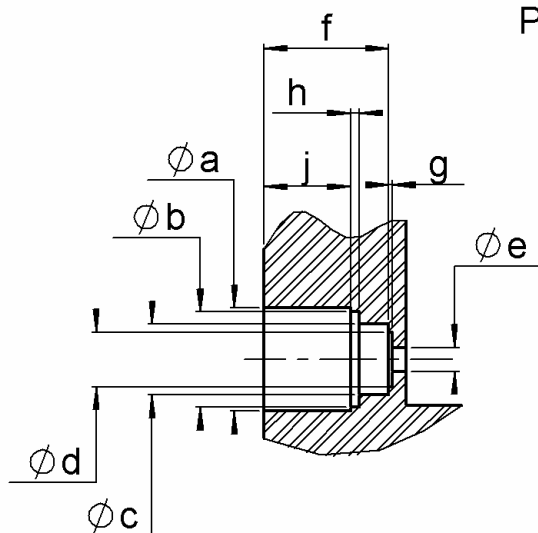
SOLDER TYPE - SMOOTH BORE

Series : SMP



1. Degrease and clean connector and box
2. Solder the connector on the panel
we advise SnAg4 Cu0.5, we recommend a low residue flux. Preheating at 100 °C. Take care not to exceed 260°C during solder operation
3. Solder the pin on the track
we advise SnAg4 Cu0.5, we recommend a low residue flux. Preheating at 100 °C (only for ceramic substrate). Take care not to exceed 260°C during solder operation

Panel mounting hole



| | |
|---|-------------|
| a | 3,76 - 3,78 |
| b | 3,43 - 3,55 |
| c | 2,59 - 2,61 |
| d | 1,95 - 2,05 |
| e | 0,87 - 0,91 |
| f | 4,55 - 4,59 |
| g | 0,13 - 0,17 |
| h | 0,28 - 0,38 |
| j | 3,15 - 3,19 |

Issue : 0951 B

In the effort to improve our products, we reserve the right to make changes judged to be necessary.

